



Insulated Structures

Efficiency At Work

SQUARE GLASS - DELI



Standard Specifications	
• Flat Bottom Pan	• 2 x Probes (Air Off & Defrost)
• Linear Front Bars	• Shaded Pole Fan
• Rear Sliders	• Standard Coil
• Powder Coated Cladding	
• Valve (Brass Thermostatic)	

Optional Specifications
• 20mm Glass Patch Ends with Black Cladding
• Solid Patch Ends
• ECM Fans
• Electronic Valves
• Self-Contained Unit

Available in Remote and Self-Contained

Leaders in world class innovation for bespoke end to end energy efficient refrigeration solutions

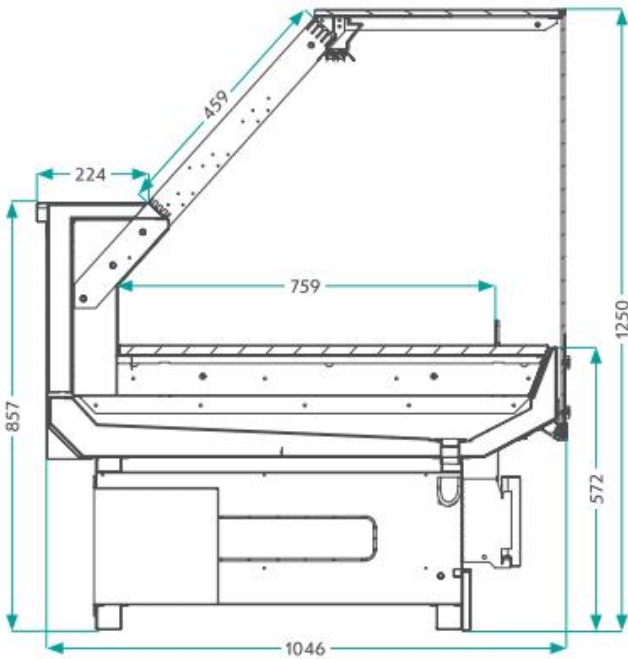




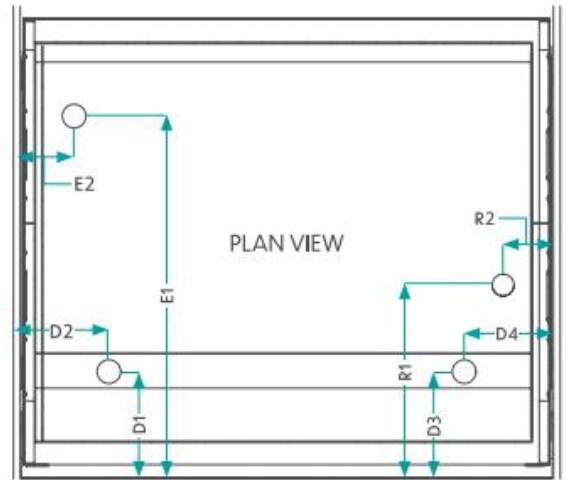
Insulated Structures

Efficiency At Work

SQUARE GLASS - DELI



SIDE SECTION VIEW



Physical Properties		
Size	Length (m)	TDA (m ²)
4ft	1.220	0.76
6ft	1.830	1.15
8ft	2.440	1.52
12ft	3.660	2.29

Drain and Refrigeration Points							
D1	D2	D3	D4	E1	E2	R1	R2
230mm	609mm	-	-	800mm	110mm	400mm	110mm
230mm	914mm	-	-	800mm	110mm	400mm	110mm
230mm	609mm	230mm	609mm	800mm	110mm	400mm	110mm
230mm	600mm	230mm	609mm	800mm	110mm	400mm	110mm

Refrigeration Requirements	
Refrigeration	Evaporation Temp
110W/ft	-6 °C

Electrical Specifications			
Evaporator Fans	Lighting	Lighting	Lighting Case
Fan Motor + Motor	Case (LED)	Shelf (LED)	(Meat LED)
1xØ154-28°/36W (SPM) or 24W (ECM)	1 x 16W	2 x 16W	2x21W
2xØ154-28°/36W (SPM) or 24W (ECM)	1 x 25W	2 x 25W	2x31W
2xØ154-28°/36W (SPM) or 24W (ECM)	2 x 16W	4 x 16W	4x21W
3xØ154-28°/36W (SPM) or 24W (ECM)	3 x 16W	6 x 16W	6x21W

Leaders in world class innovation for bespoke end to end energy efficient refrigeration solutions



Insulated Structures
Efficiency At Work